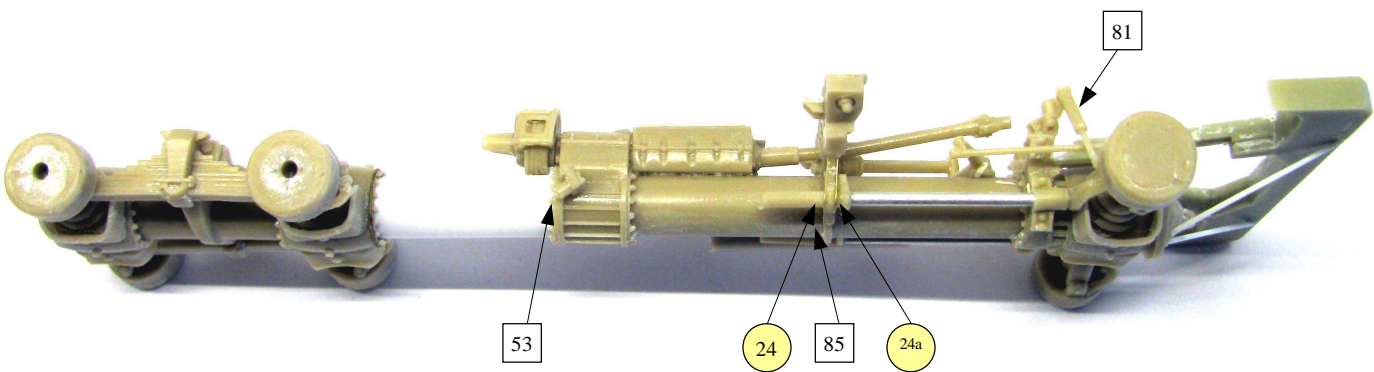
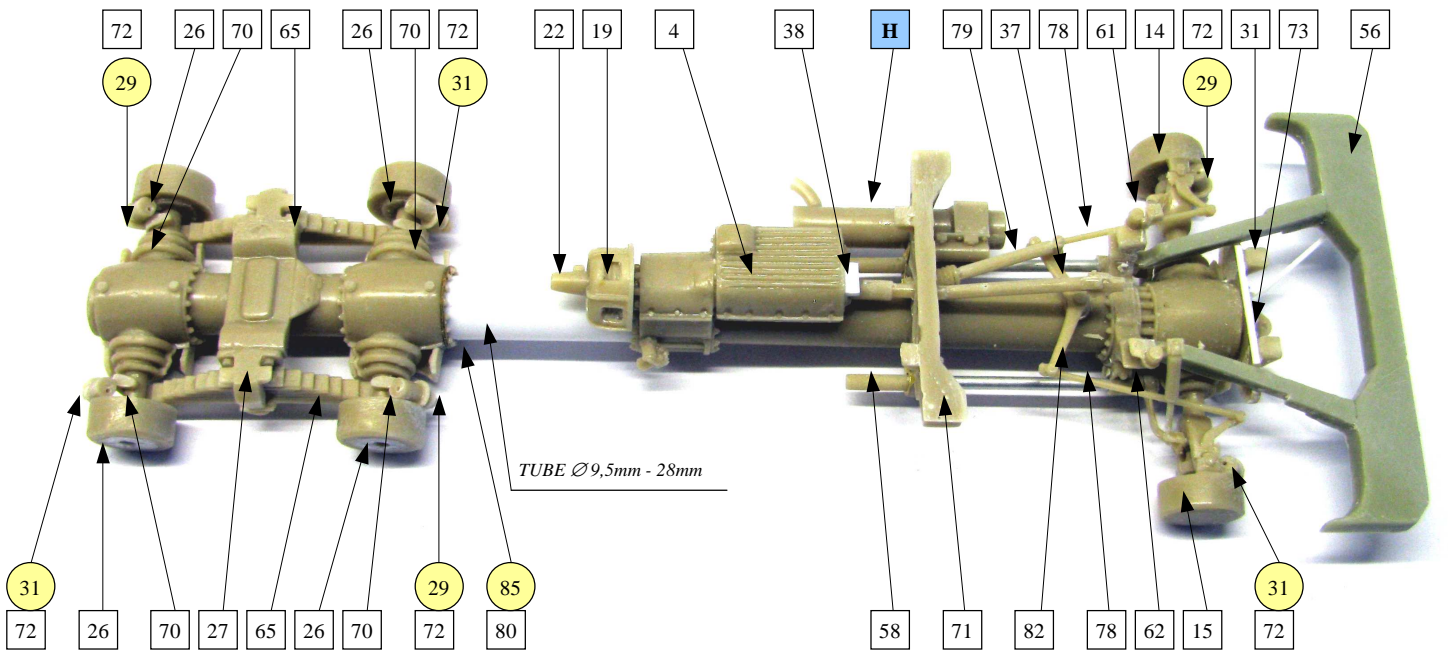
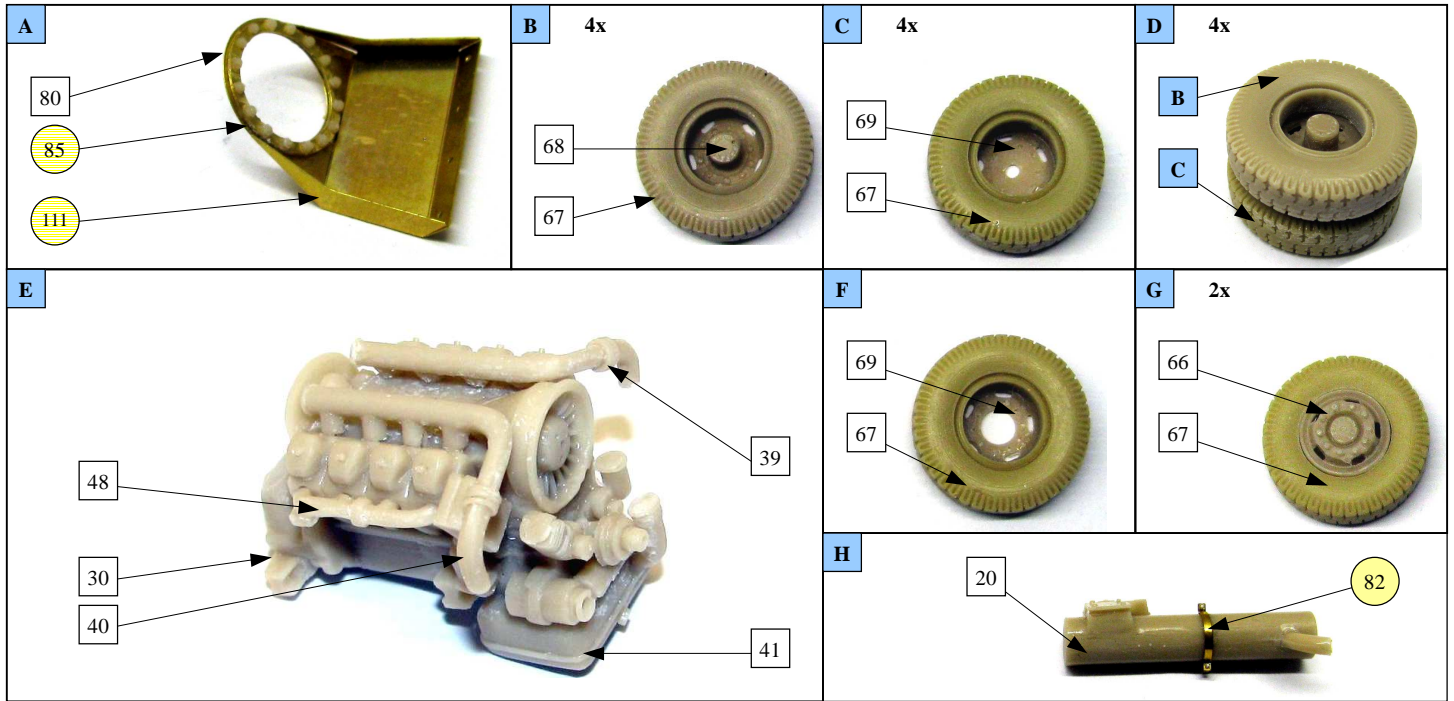


XX

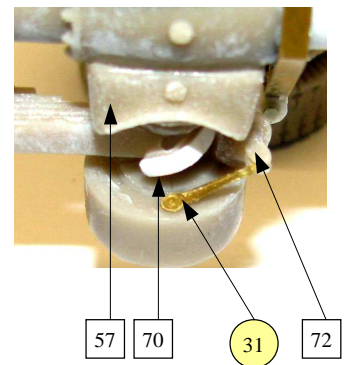
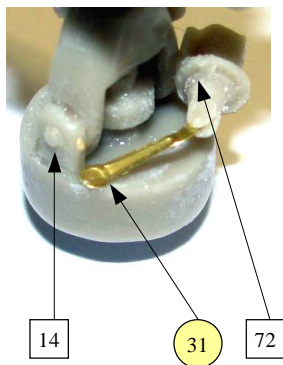
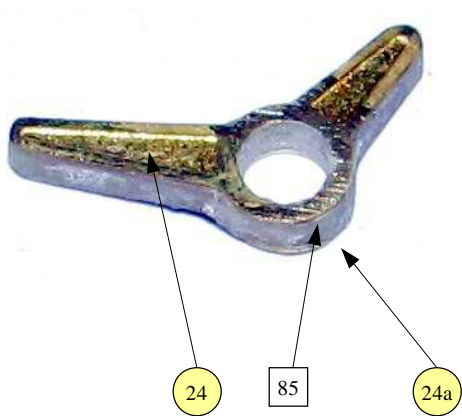
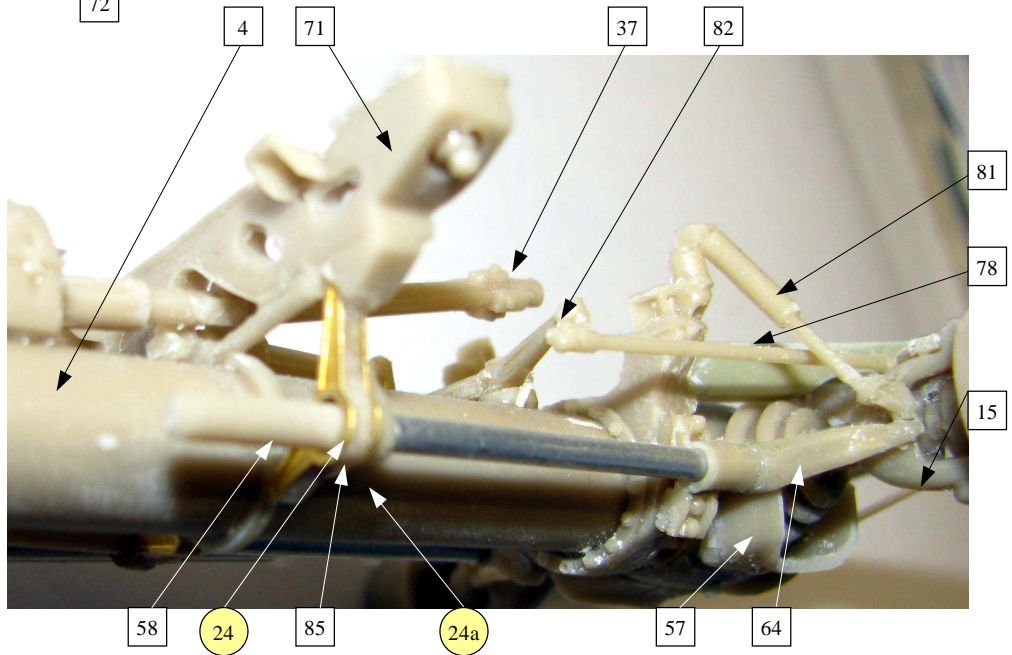
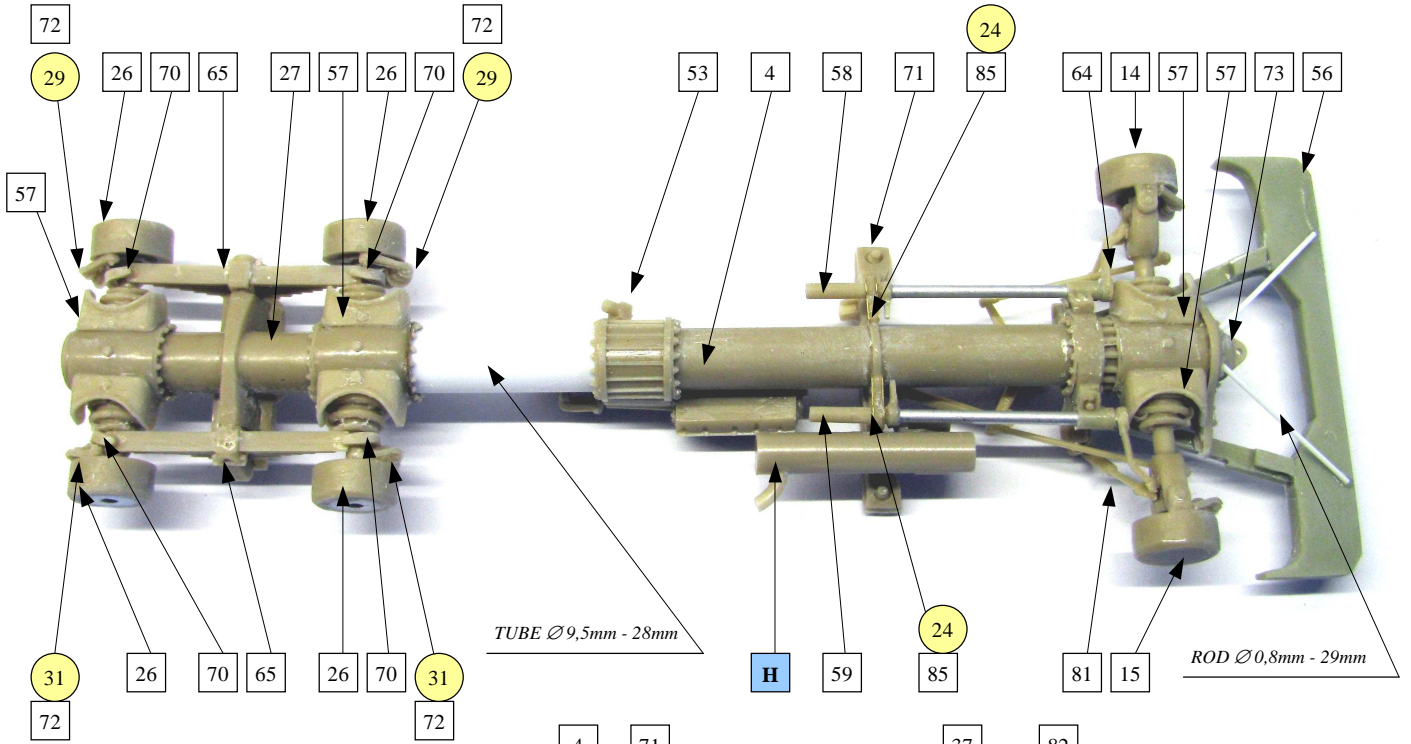
- RESIN PARTS

X

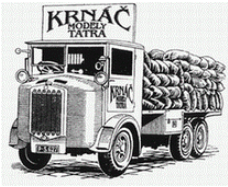
- PHOTO-ETCHED PARTS 35056









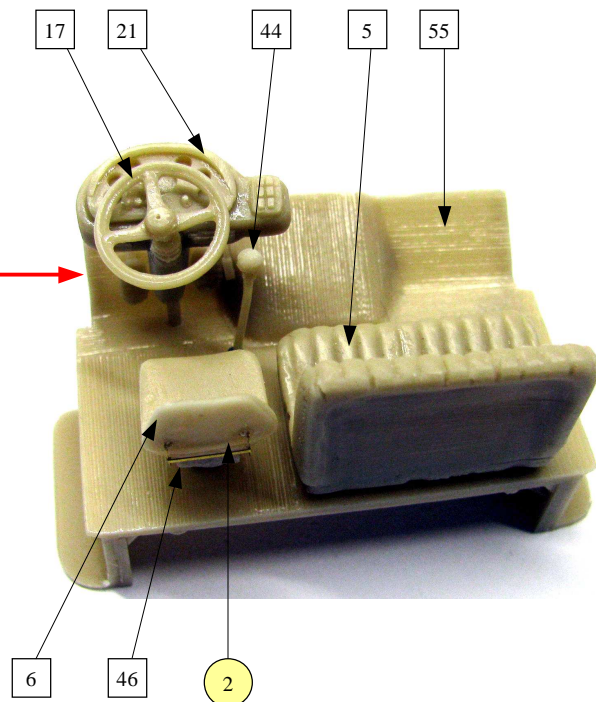
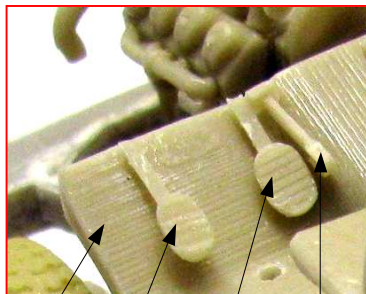
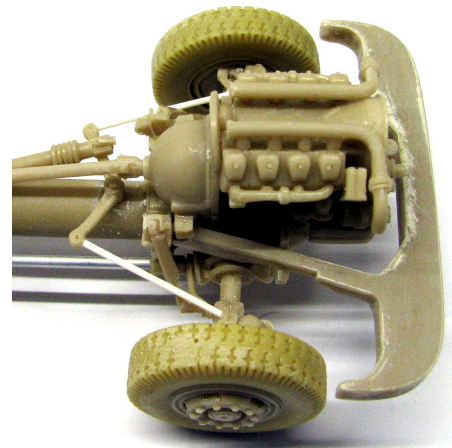
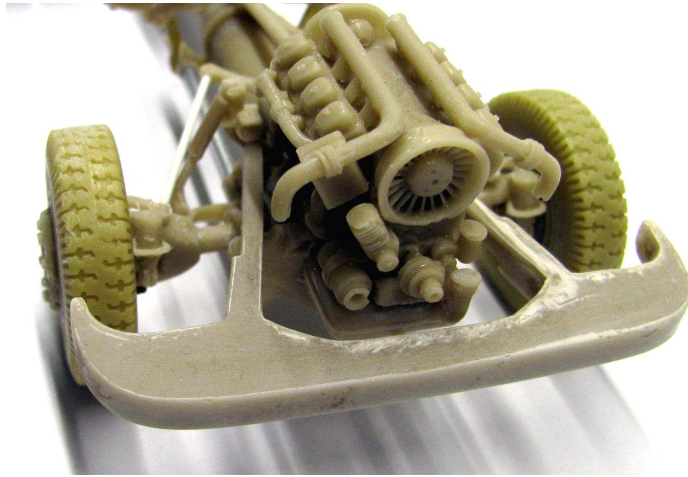
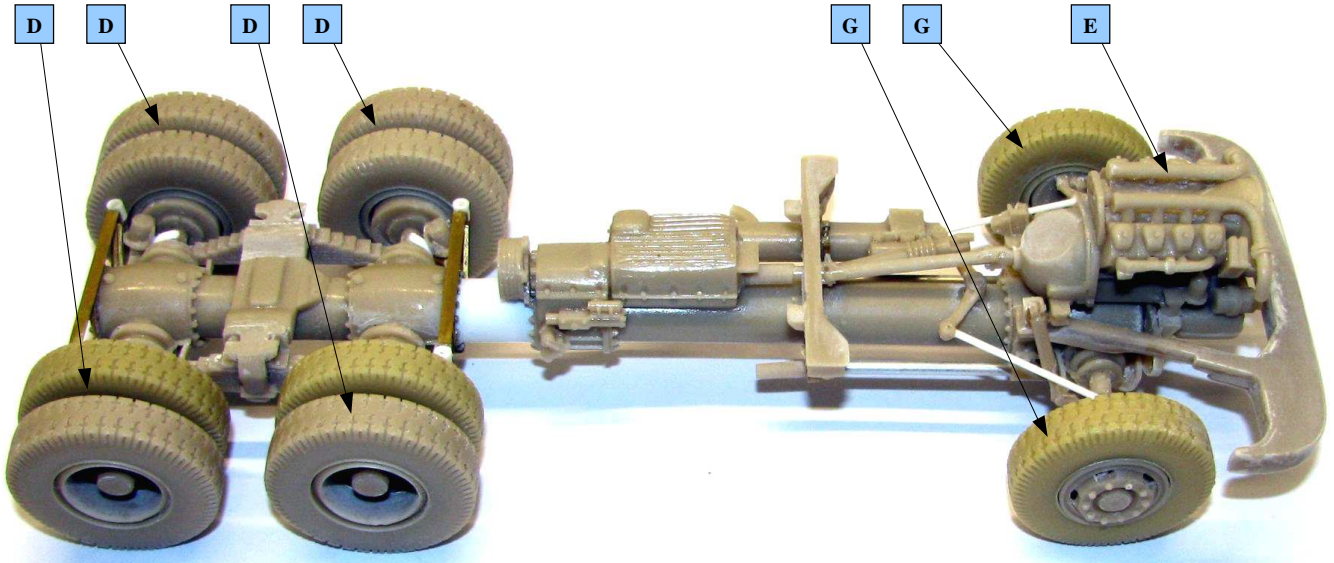


T148-VNM

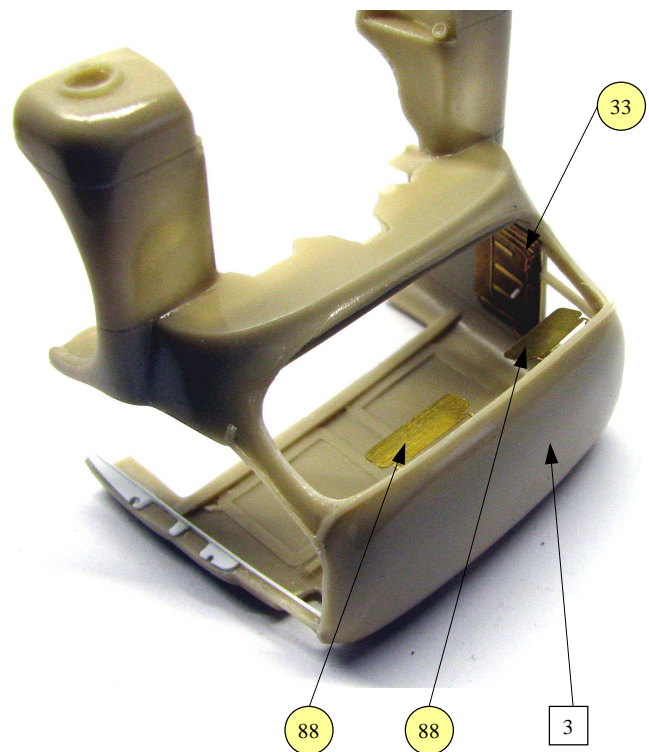
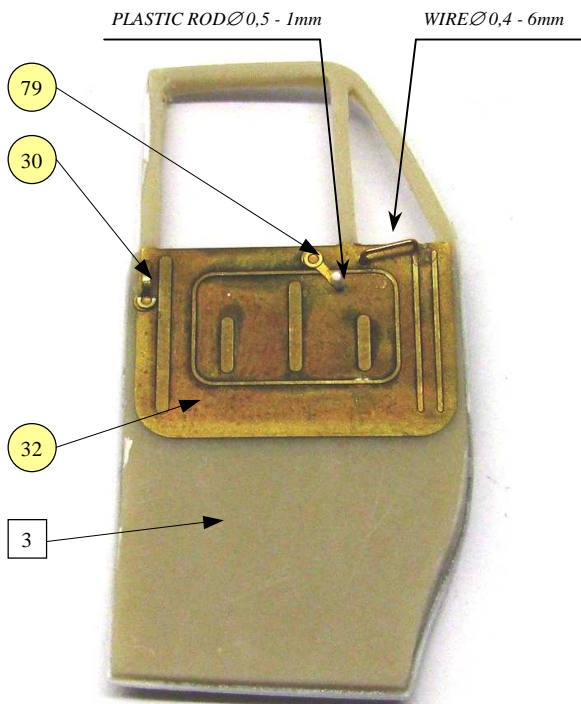
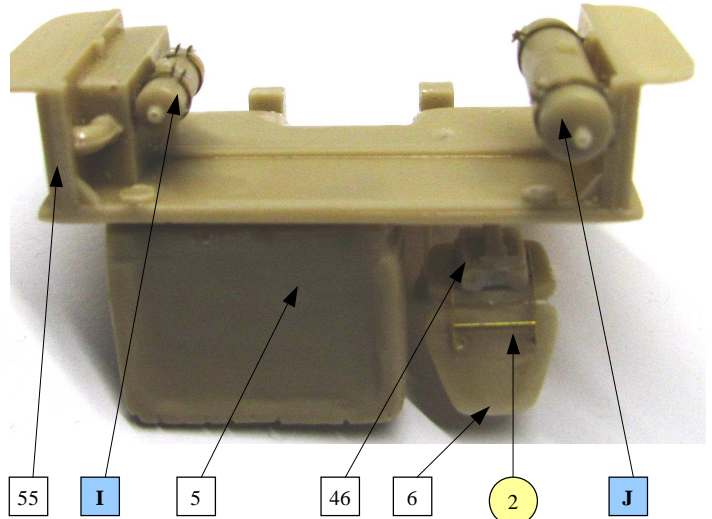
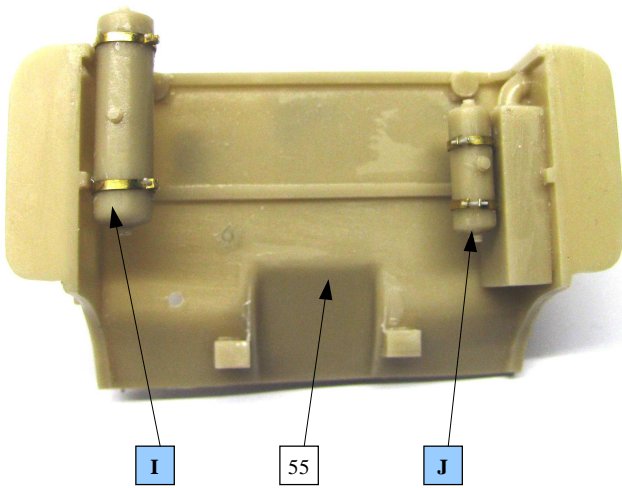
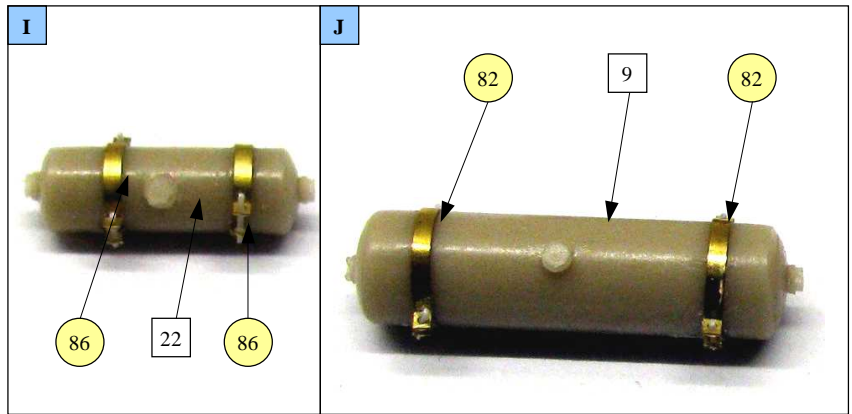
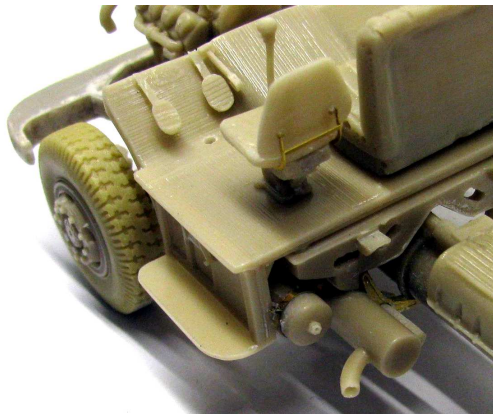
1/35

35063

5/22









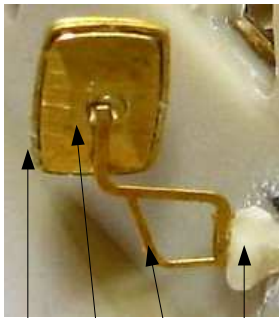
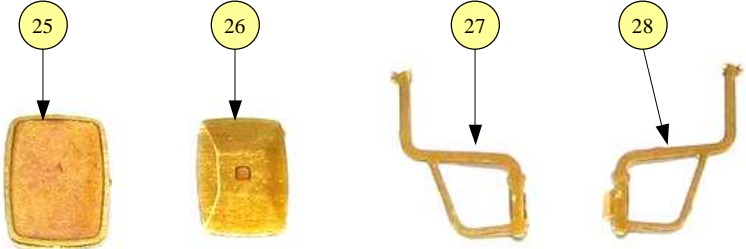
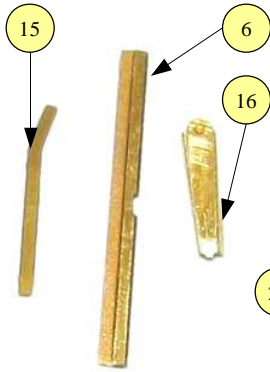


T148-VNM

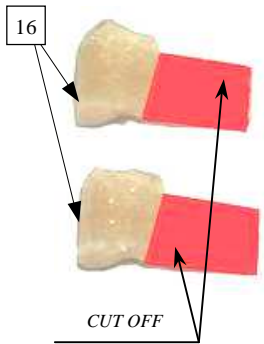
1/35

35063

7/22



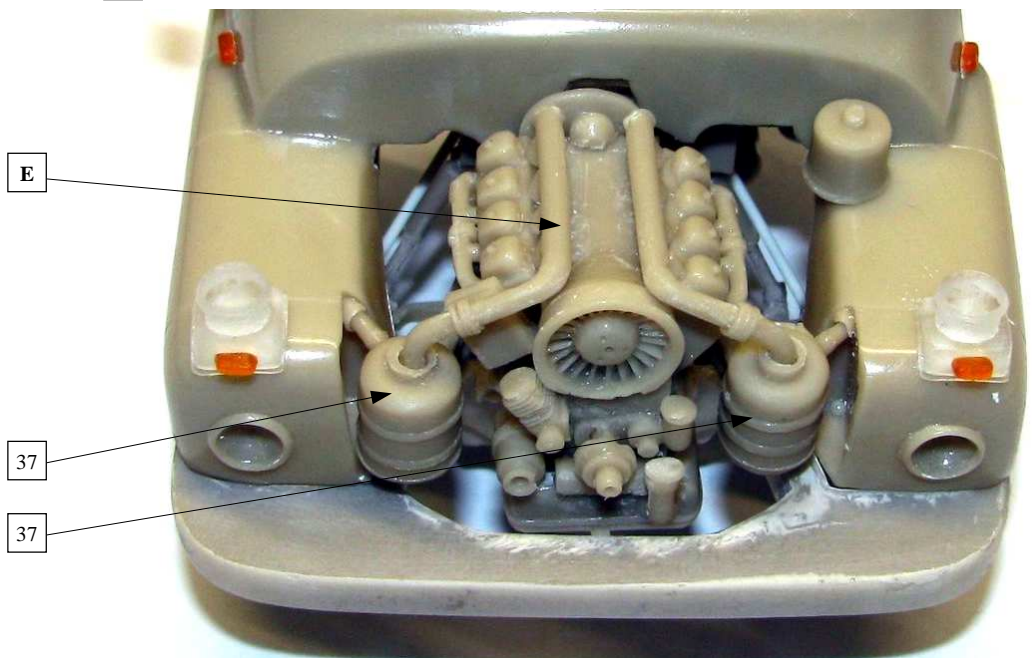
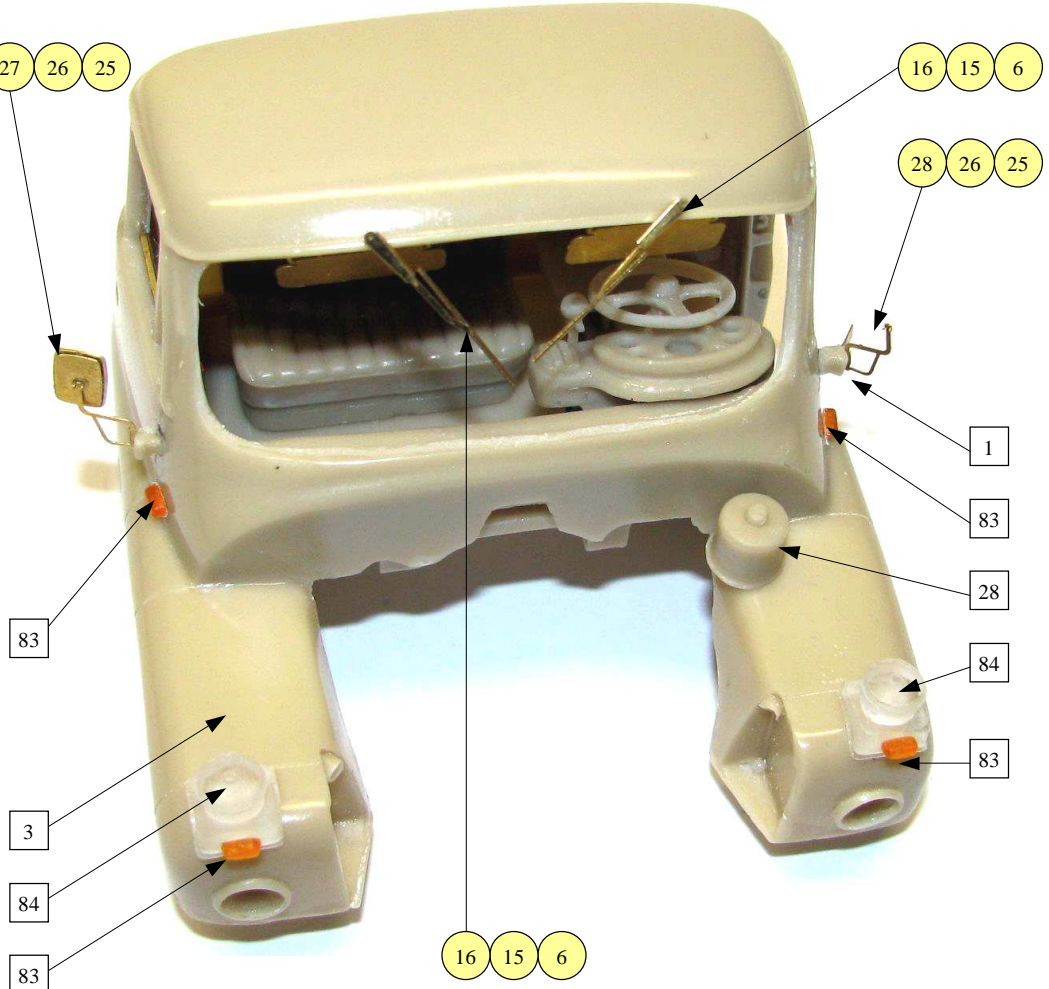
25 26 27 16

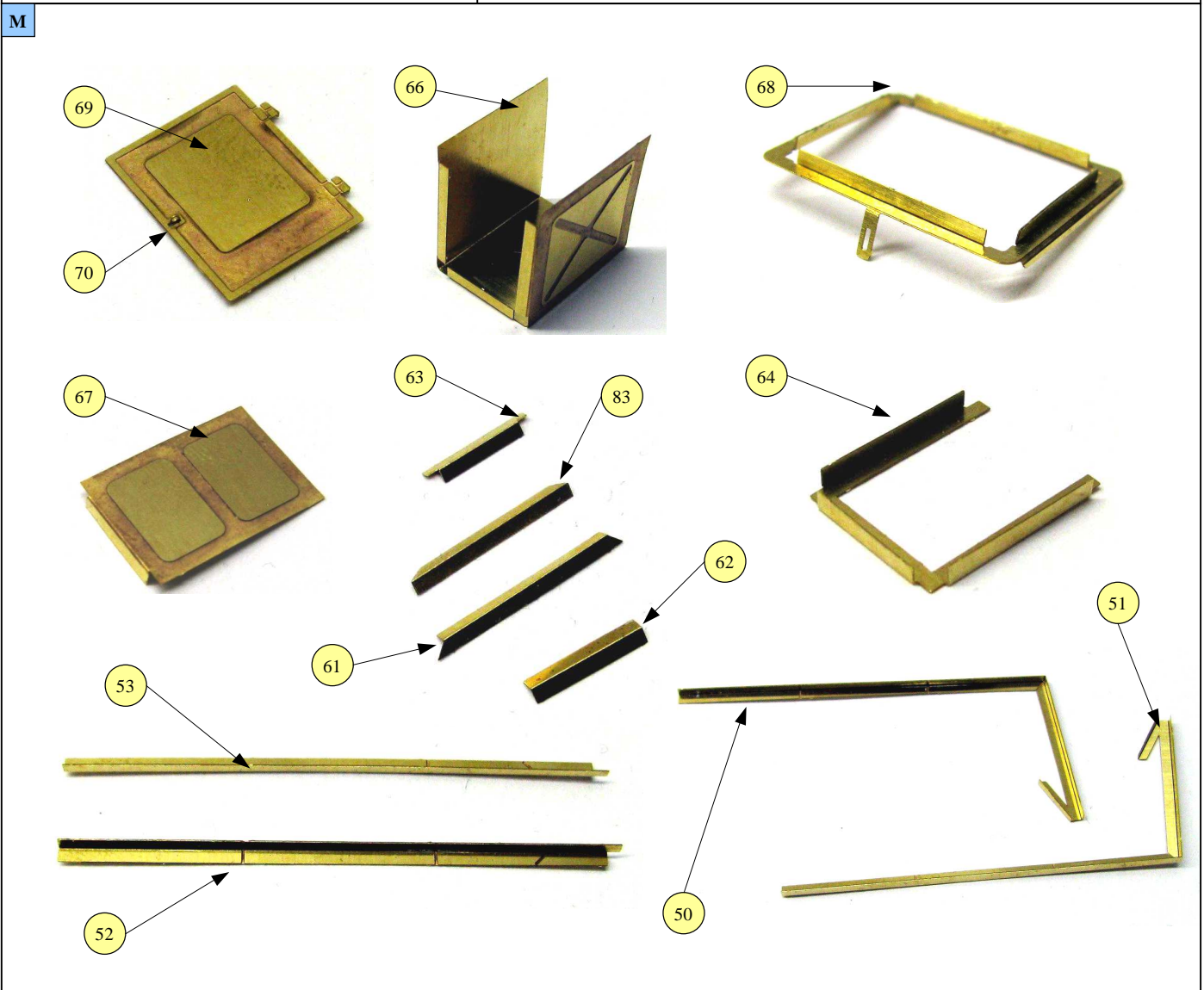
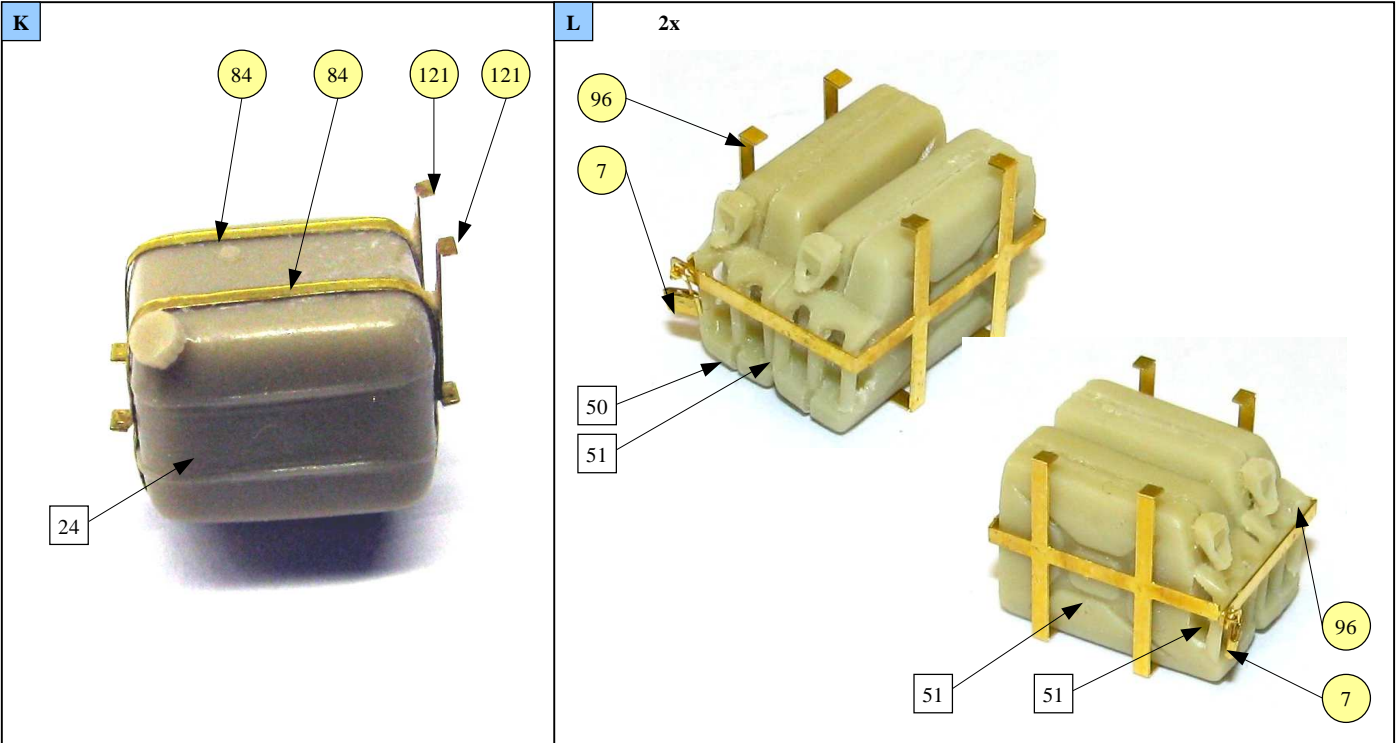


27 26 25

16 15 6

28 26 25

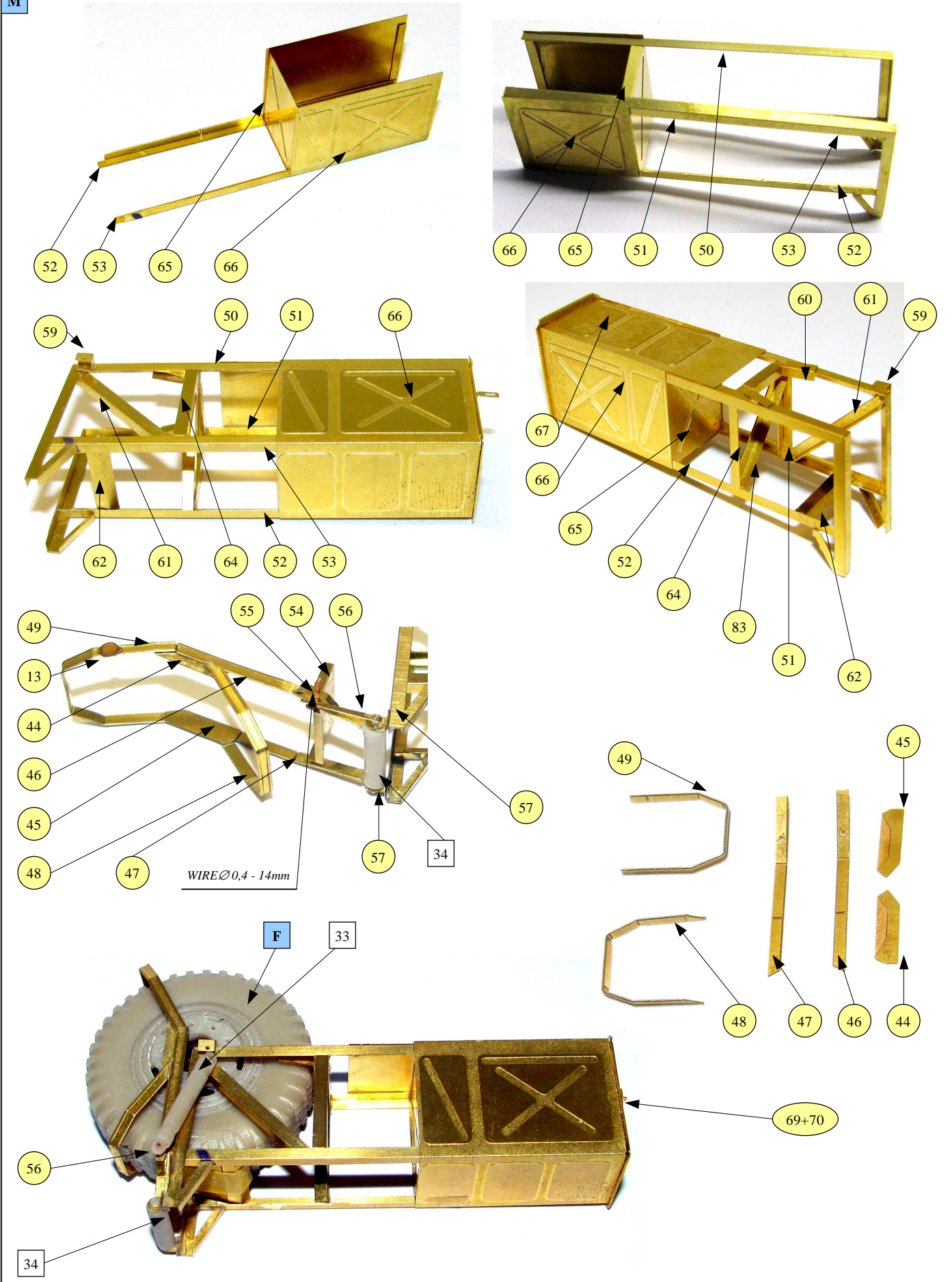


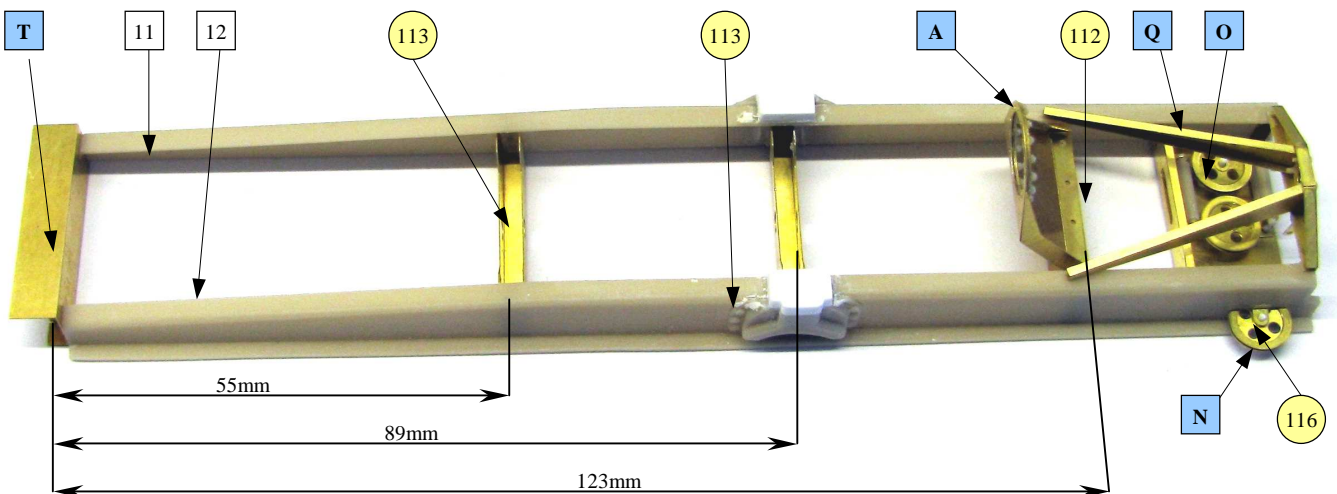
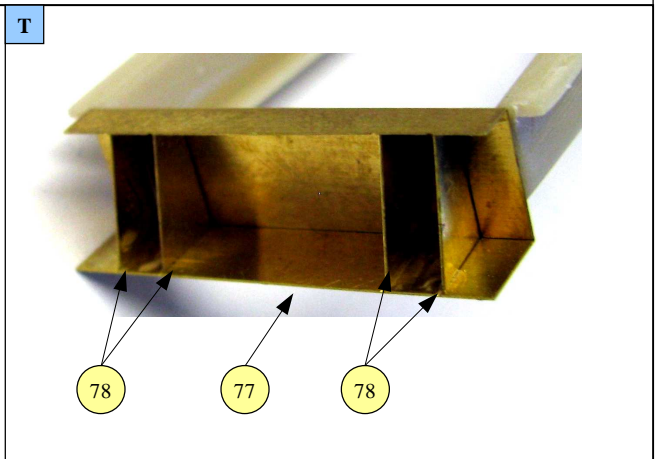
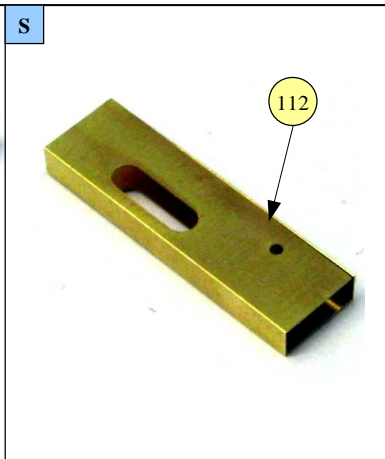
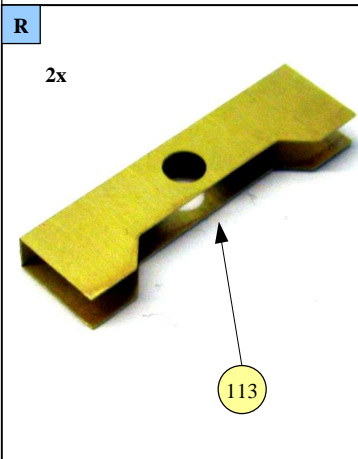
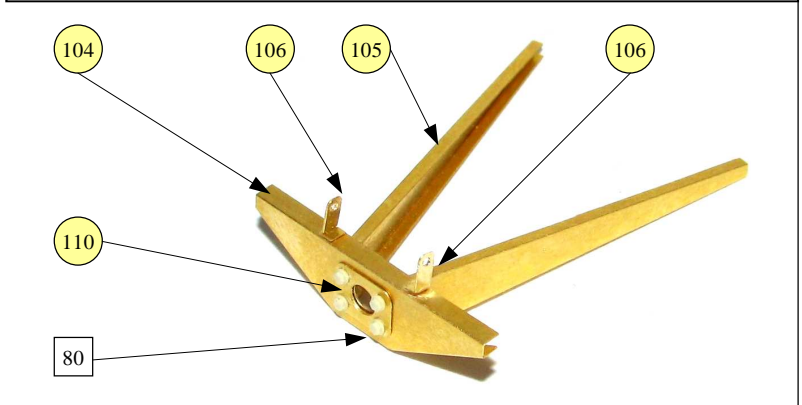
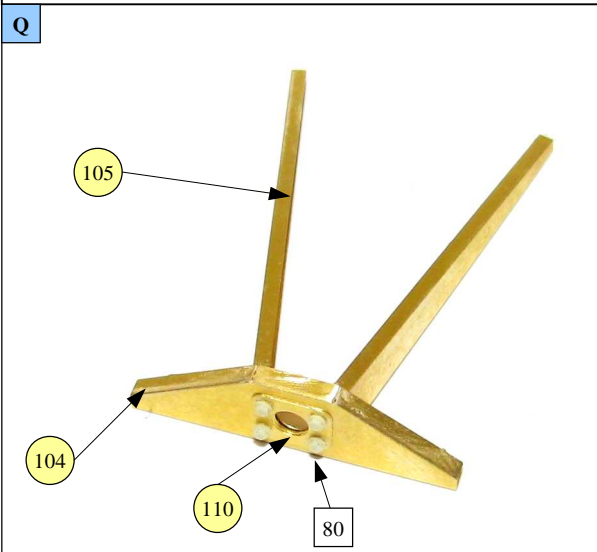
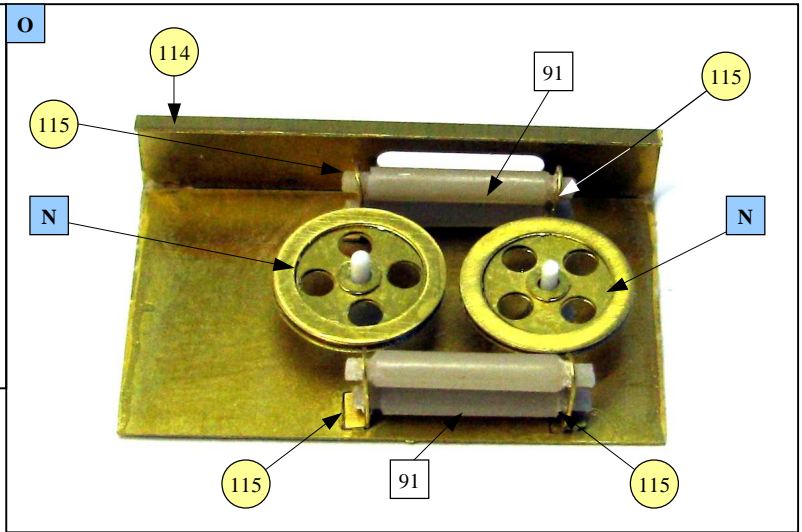
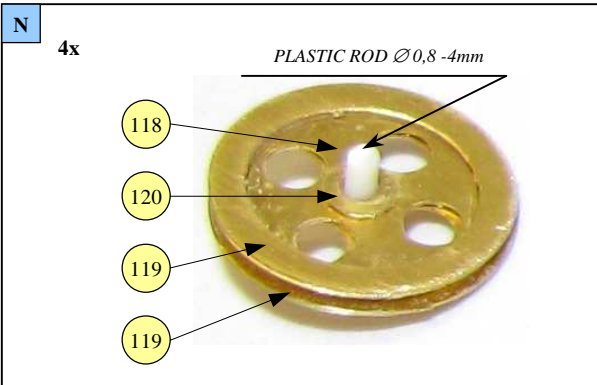






M







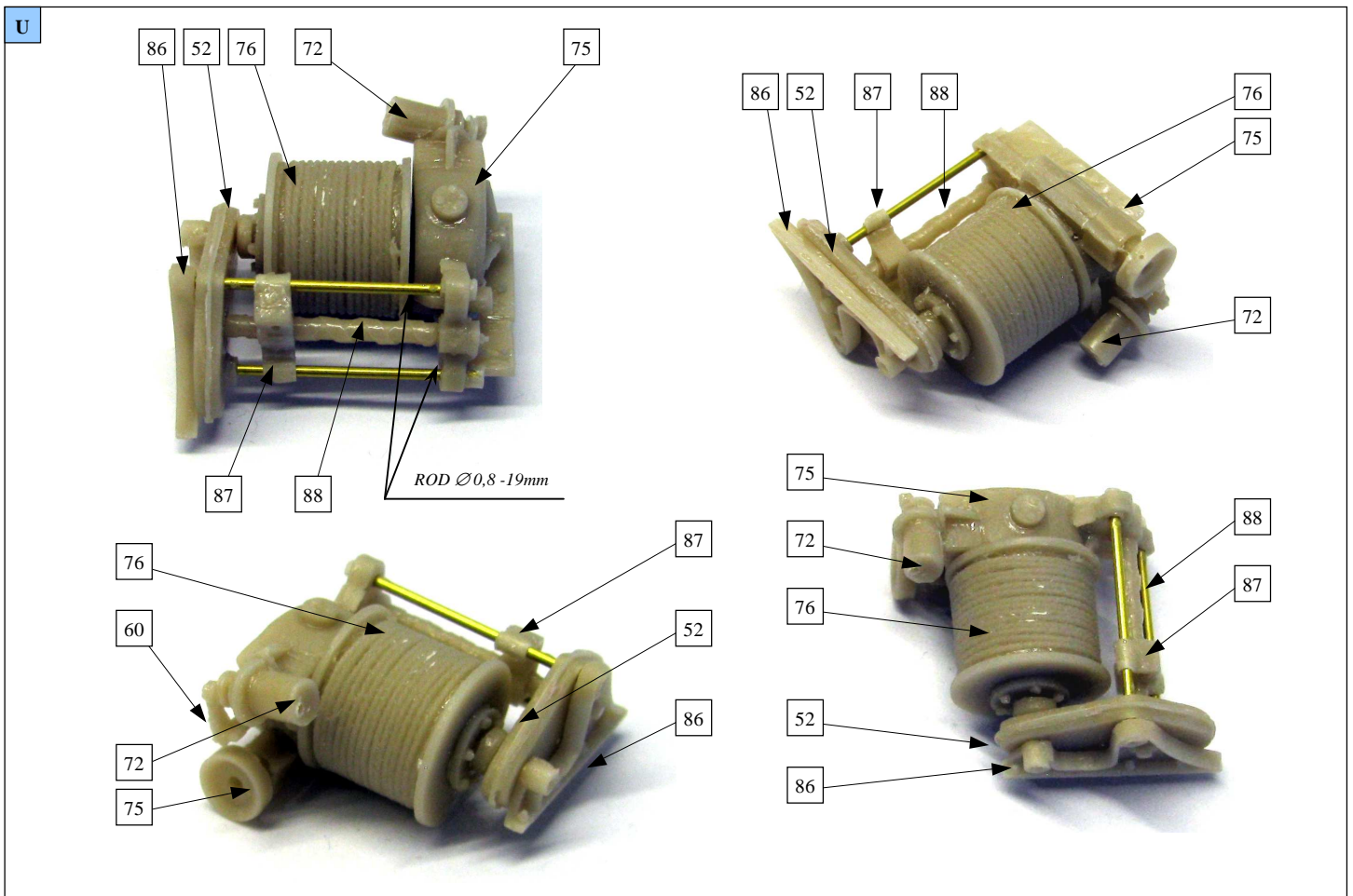
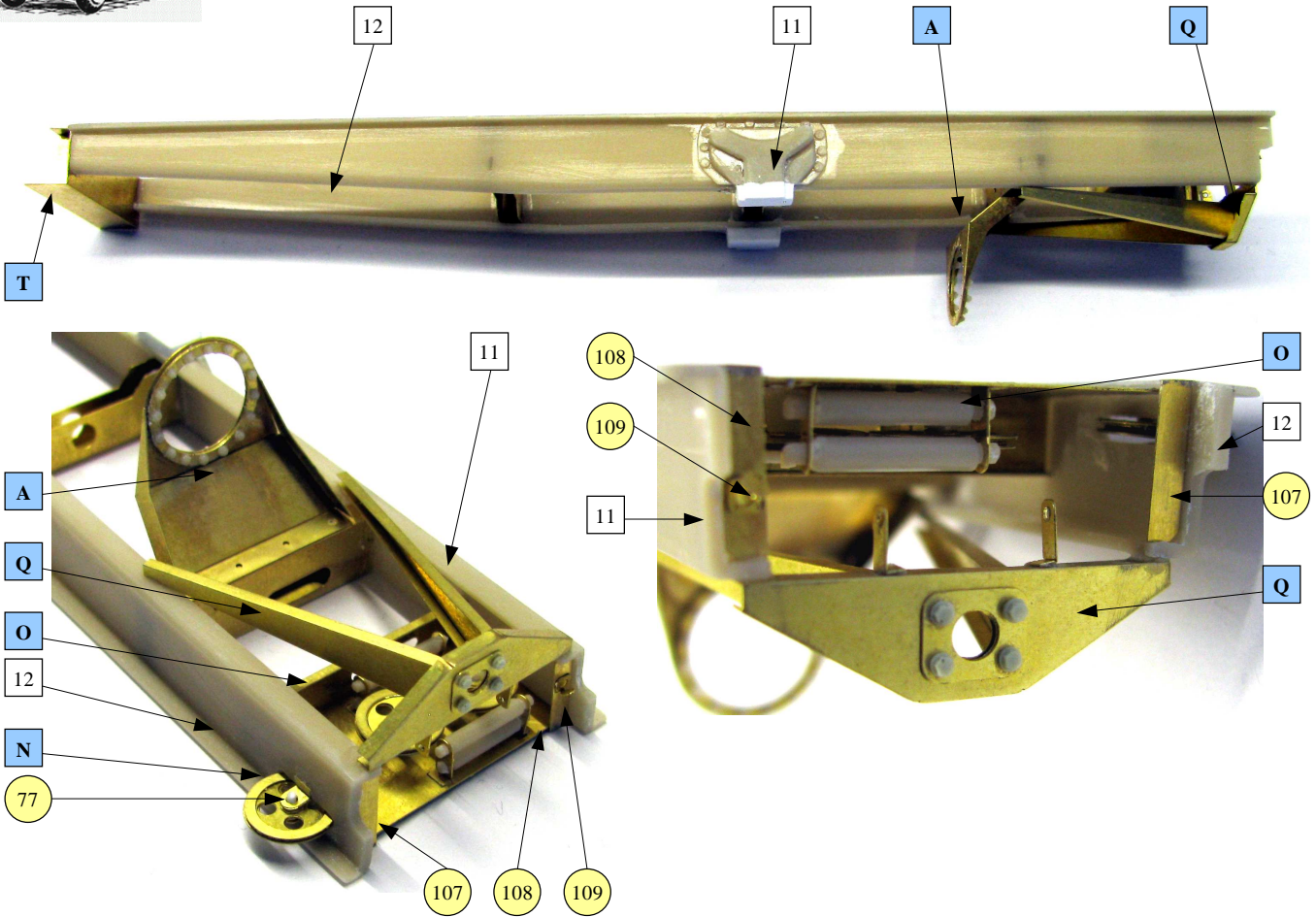


T148-VNM

1/35

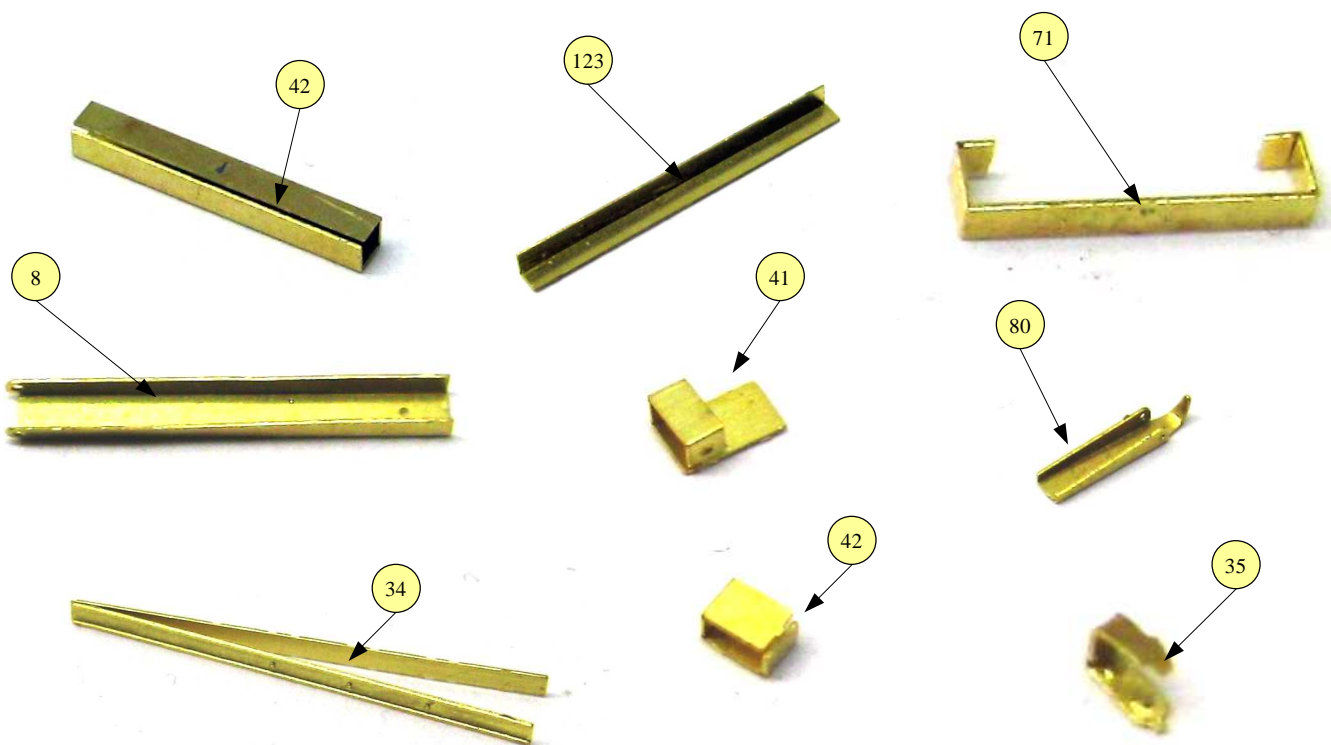
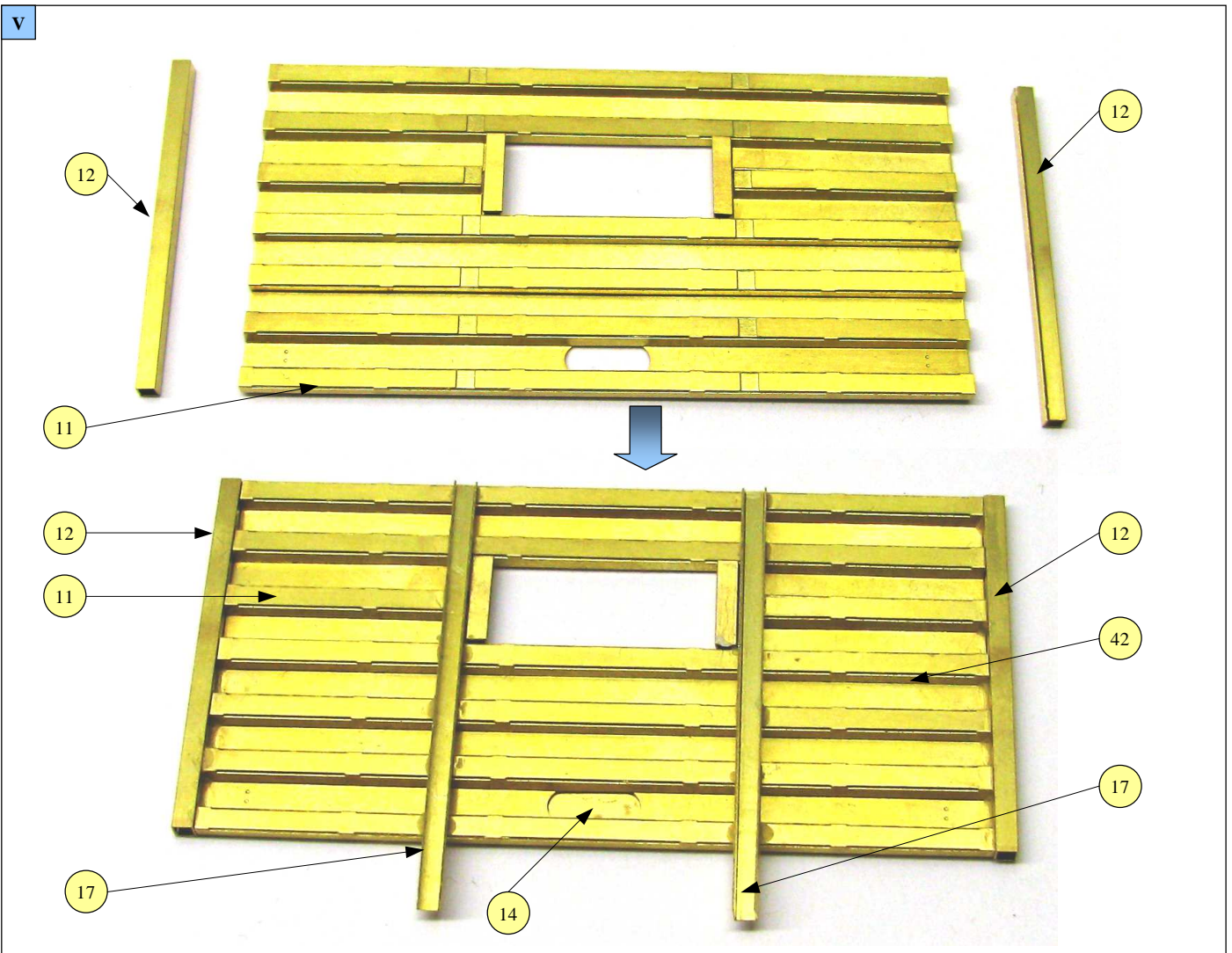
35063

11/22





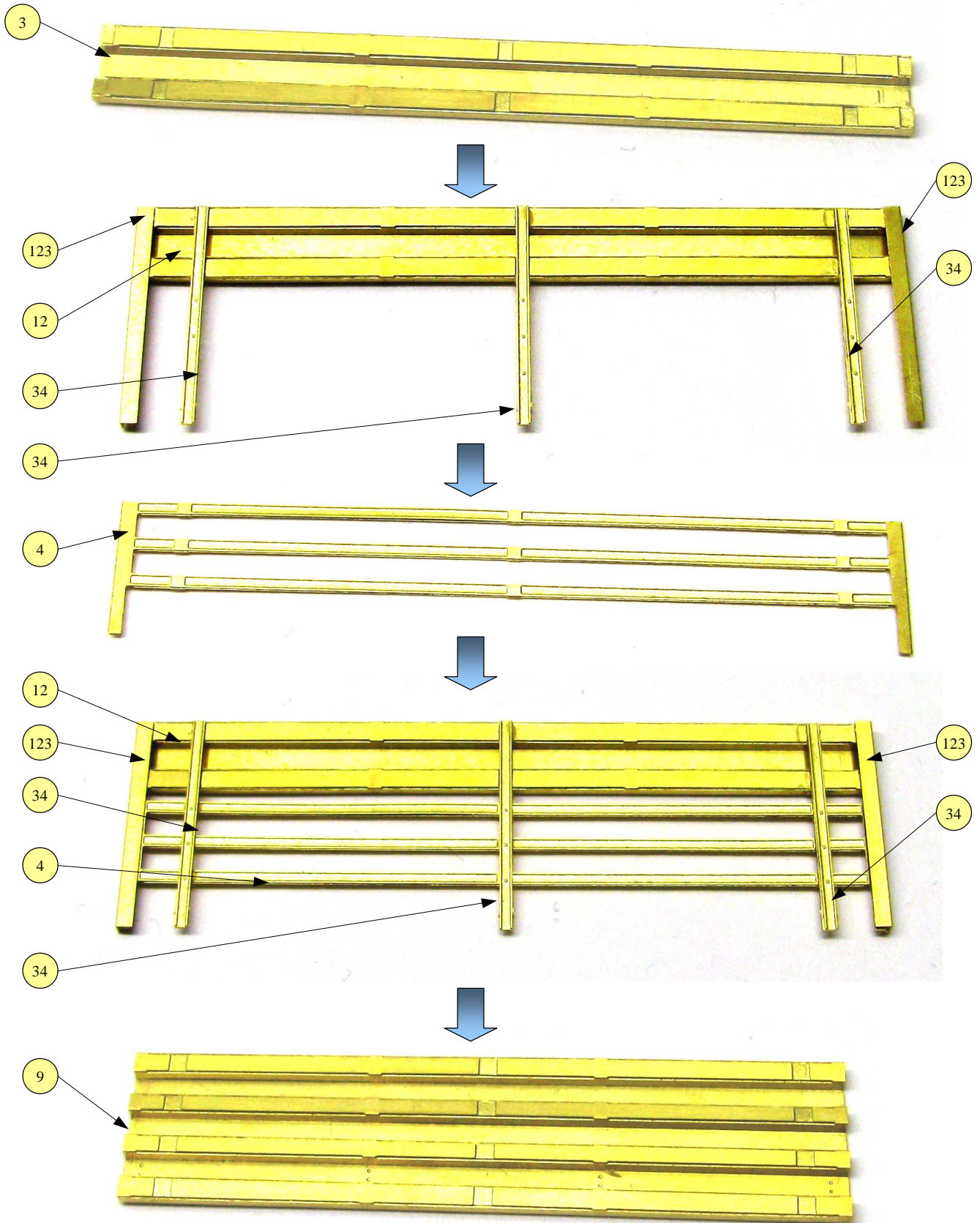
V





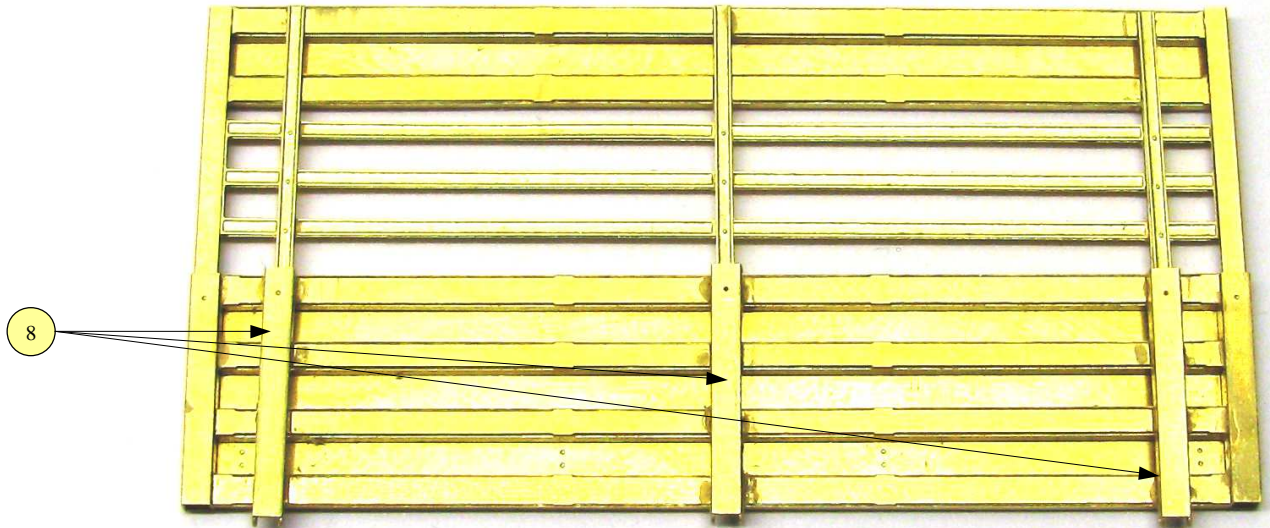
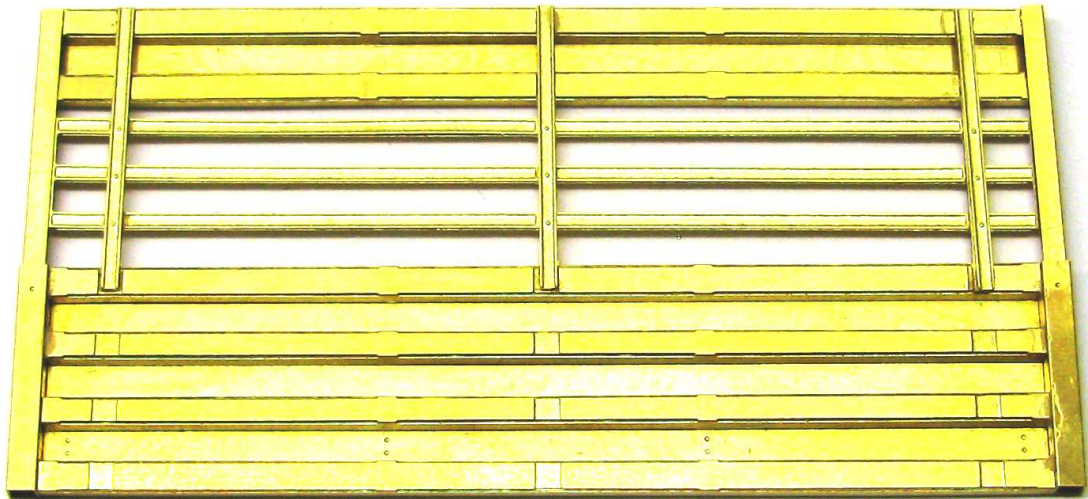
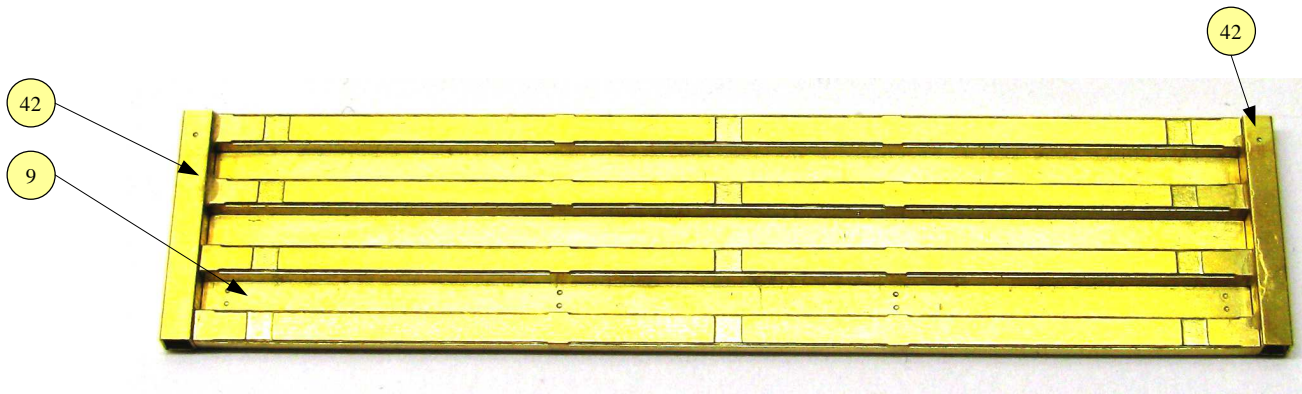


W

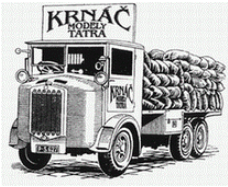




W

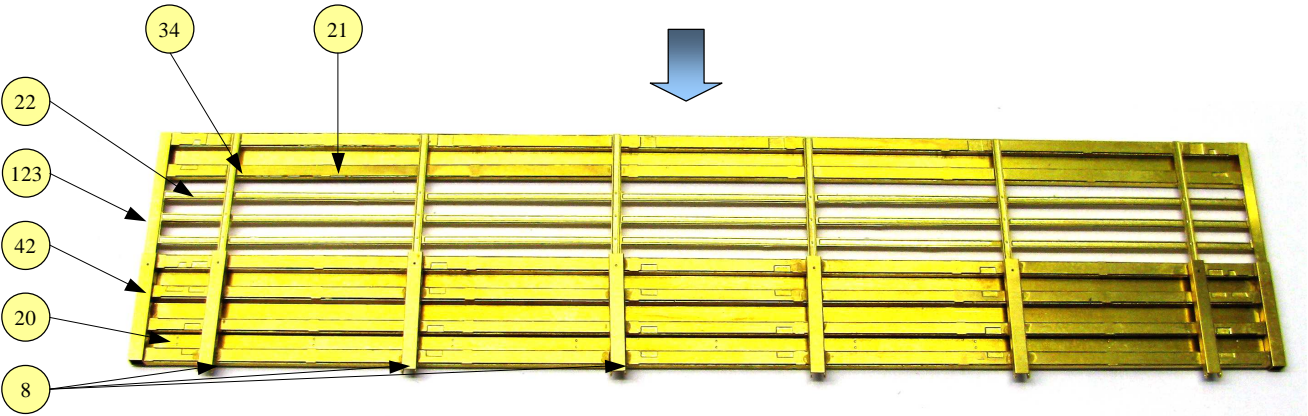
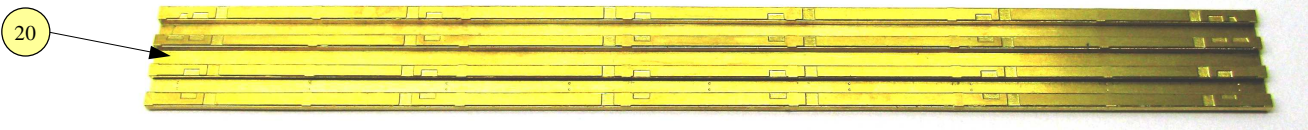
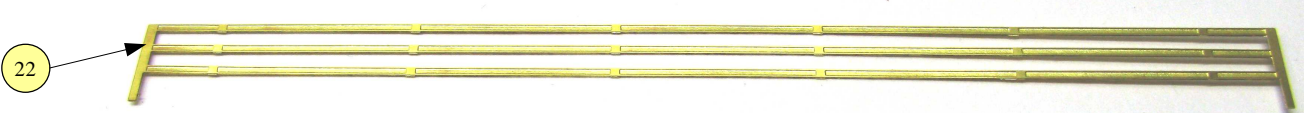
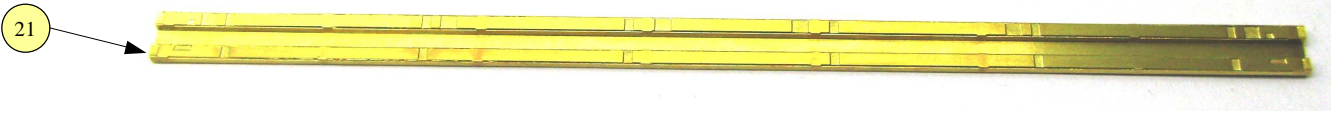




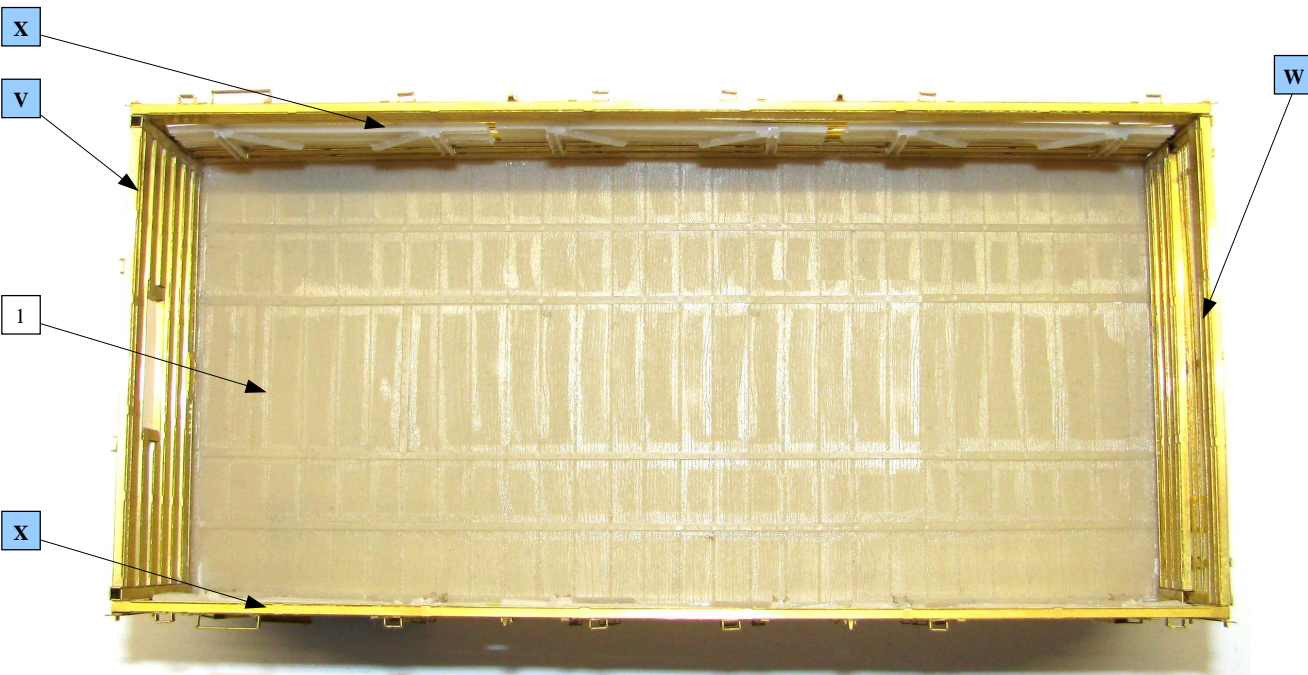


X

2x



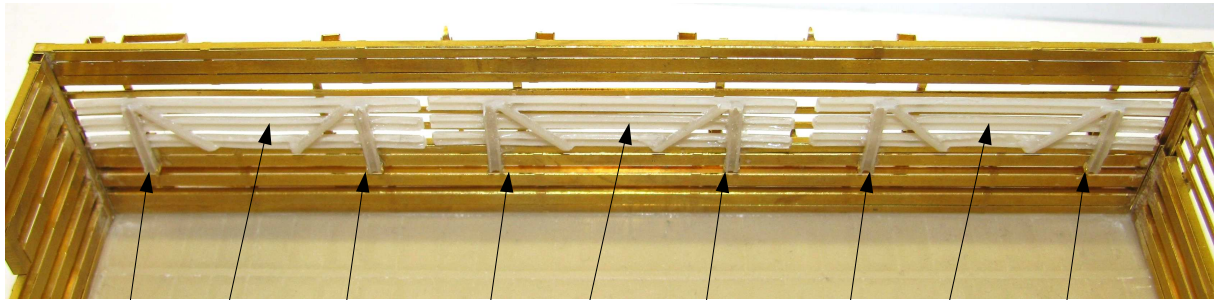
Y



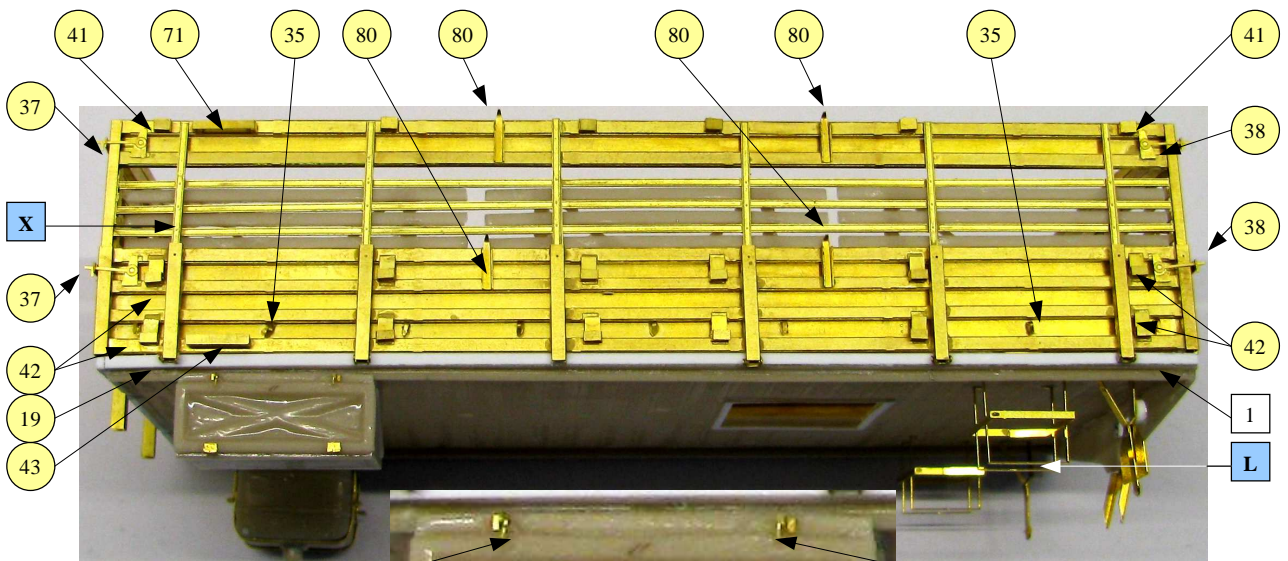




Y



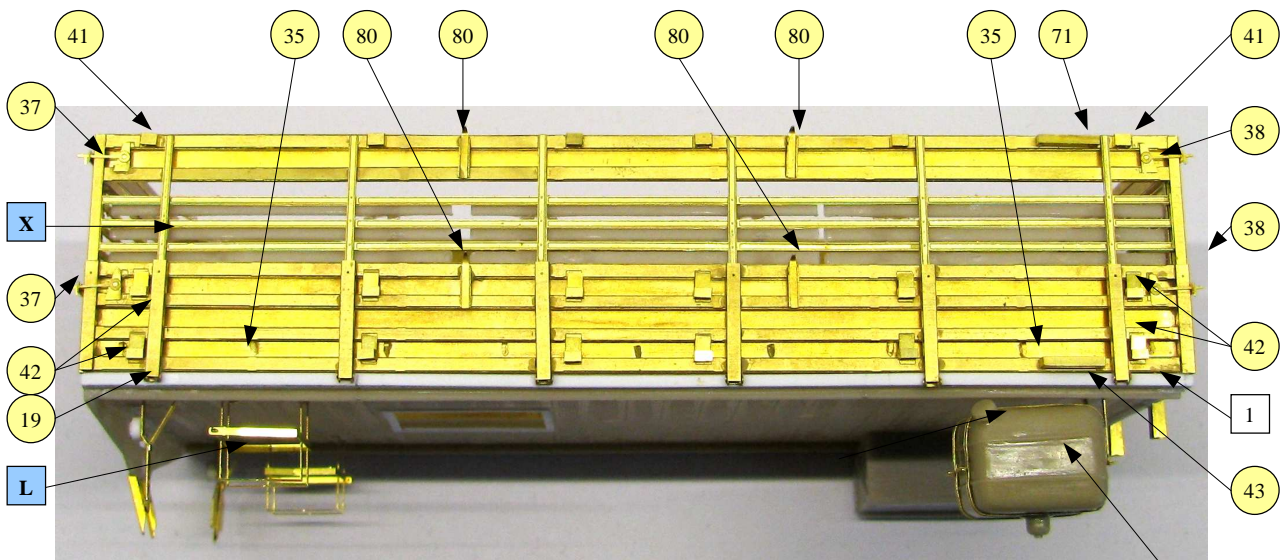
- 73
- 2
- 73
- 73
- 2
- 73
- 73
- 2
- 73



- 41
- 71
- 35
- 80
- 80
- 80
- 80
- 35
- 41
- 37
- 38
- 38
- 42
- 1
- L
- 37
- 42
- 19
- 43



- 70
- 124
- 35
- 125
- 70
- 124
- 125



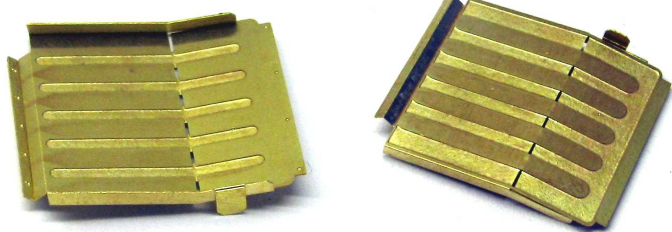
- 41
- 35
- 80
- 80
- 80
- 80
- 35
- 71
- 41
- 37
- 38
- 38
- 42
- 1
- 43
- X
- 37
- 42
- 19
- L

K



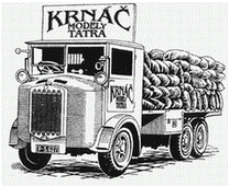


2x (97) / 2x mirrored (98)



rack for canvas 6x



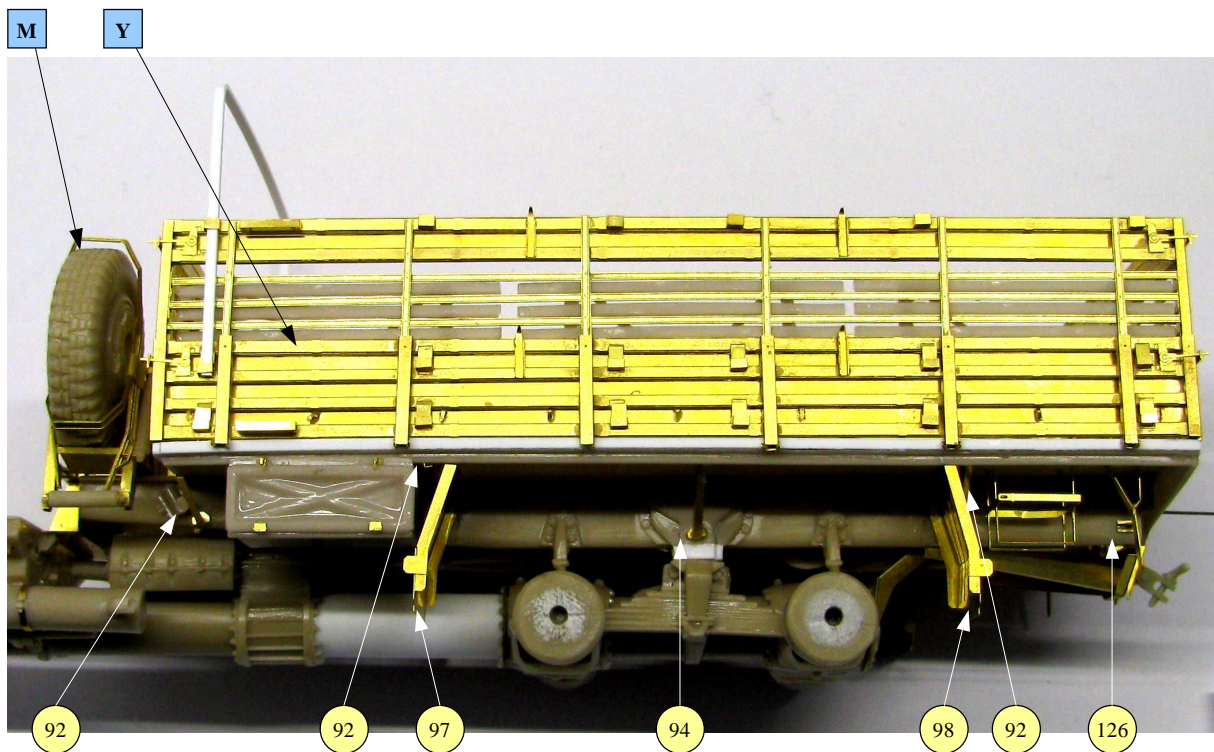


T148-VNM

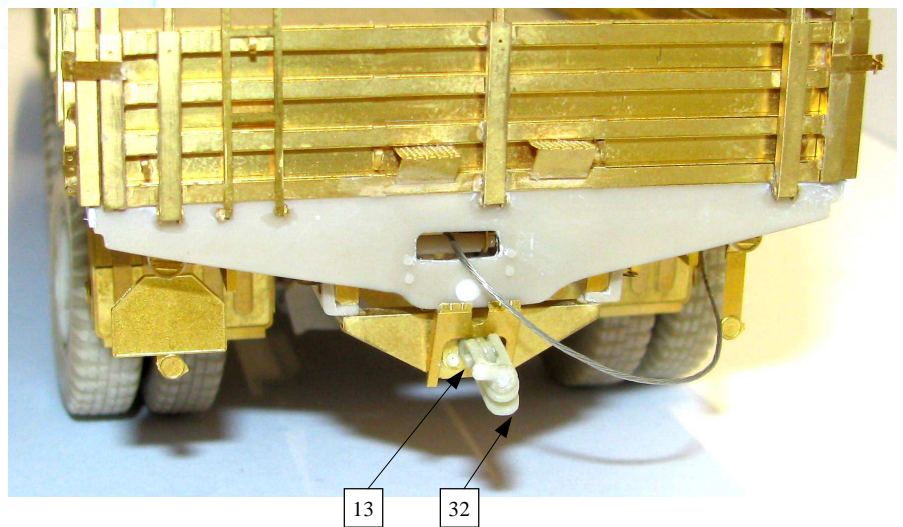
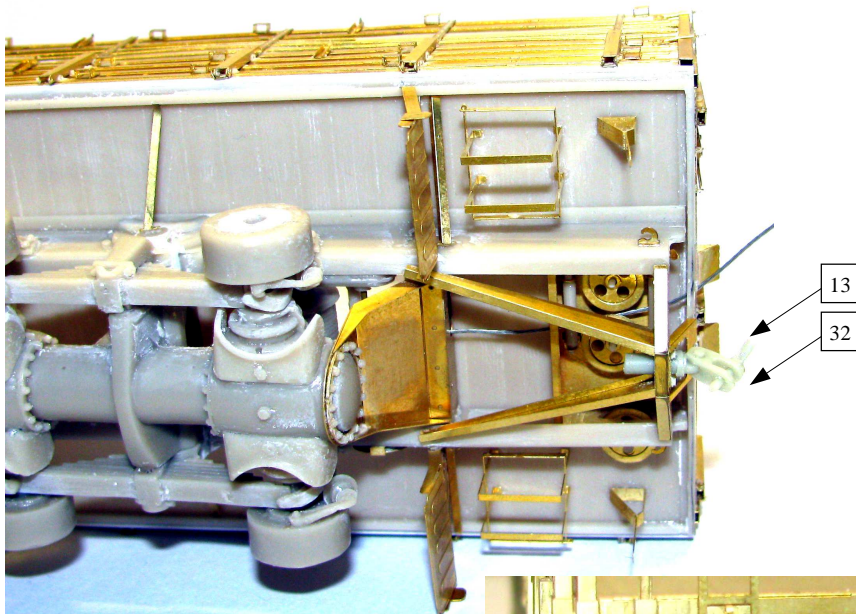
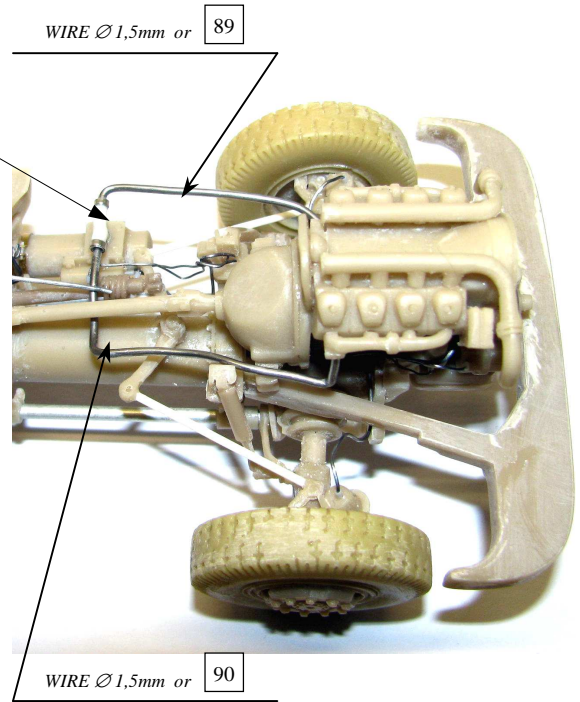
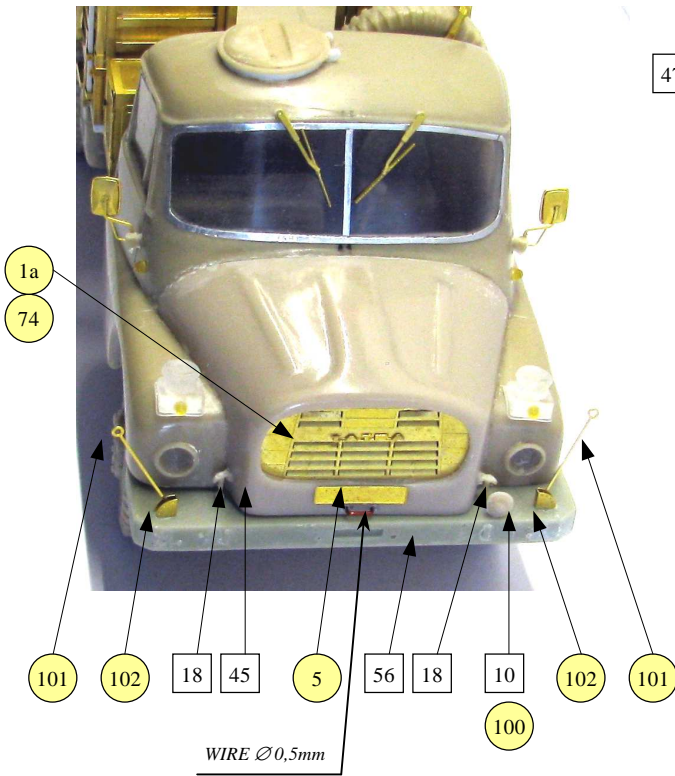
1/35

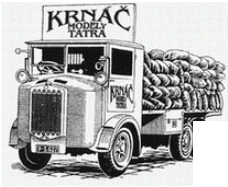
35063

18/22









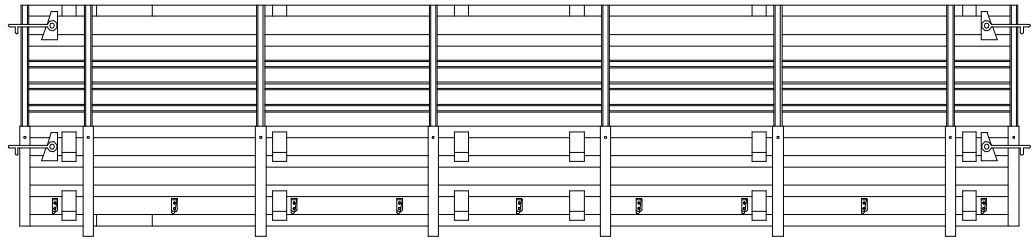
T148-VNM

1/35

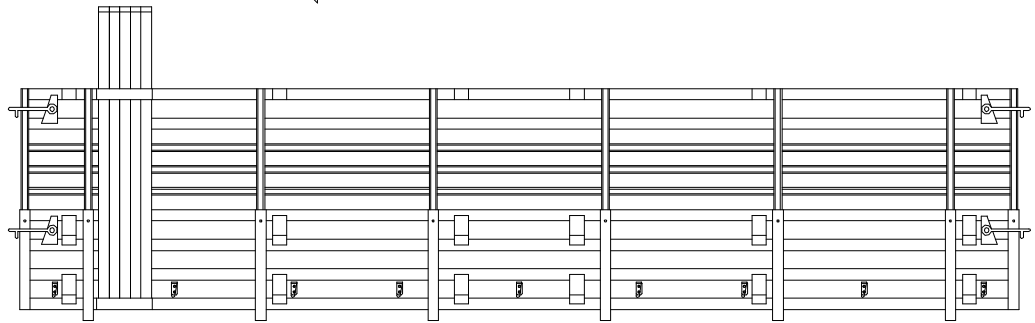
35063

20/22

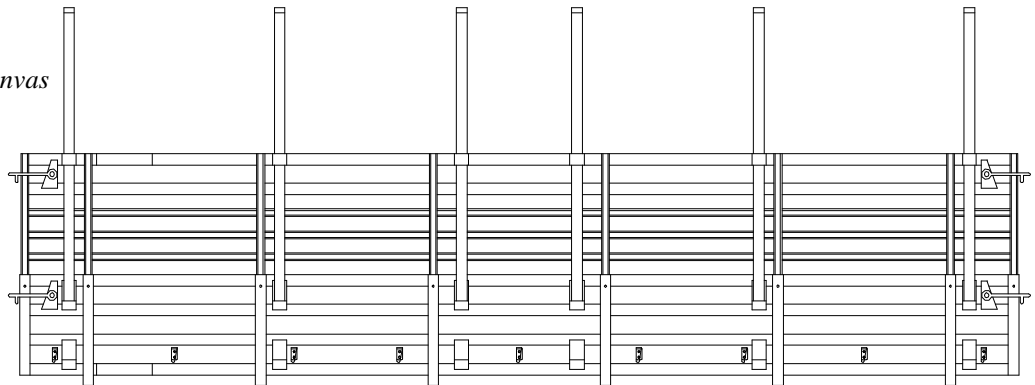
*without rack for canvas*



*The rack for canvas in transport position*



*The rack for canvas*







T148-VNM

1/35

35063

21/22







T148-VNM

1/35

35063

22/22

